

Dansensor® LeakPointer 3 LeakPointer 3+

THE FASTEST PRECISION OFF-LINE LEAK DETECTOR ON THE MARKET



Benefits

- Non-destructive leak testing
- Ensures product quality
- Detects micro leaks down to 50 microns
- User interface harmonized with other Dansensor branded instruments
- Data collection and data sharing options
- Easy to operate

Additional benefits Dansensor LeakPointer 3:

- Immediate calculation of hole size
- Down to 10-second test cycle
- Additional option; Dansensor® PackBase

Additional benefits Dansensor LeakPointer 3+:

- Tests multiple large packages at once

Off-line leak tester for quality control of Modified Atmosphere Packages (MAP)

Nobody likes surprises on the production line. Nobody wants recalls, delays or packaging mistakes either. Thankfully, there is an easy way to take these unwanted surprises out of the picture.

Dansensor® LeakPointer 3 checks your packaging process is working effectively, with fast read times that help you get back on track quickly if leaks occur. Designed for food industry use, the highly-accurate instruments detect even tiny leaks to guard against delivering unusable food to retailers and consumers.

Easy to use, the testing set-up is simple and easy to manage, with presets to keep information streams consistent when using multiple operators across different shifts. Just follow the set-up instruction, select a product to test, close the lid and begin.

Designed for speed, Dansensor LeakPointer 3 has a capacity of up to 6 packages/min. (10 sec. cycle time). Dansensor LeakPointer 3+ has a large chamber suitable for multiple package test or very large packages and has a slightly higher cycle time.

The advanced instruments detect leak sizes down to 50 microns (μm), so you can calibrate to shelf life parameters, and avoid losing usable products. All the information you need is delivered faster with more detail to help you avoid unexpected and expensive hiccups. Say no to surprises and yes to effective quality control.

Features

- Designed for the food industry
- Easy operation via touch screen
- Scan barcode or choose program to operate
- Option to prompt user for additional measurement input
- Read the leaks in microns
- Immediate vacuum holding lid down (with visual indicator)
- Integrated Delta-P meter
- Auto data logging
- Data export per cycle via LAN
- Printing facility (USB)
- Low sensitivity to surrounding CO_2 levels

HOW DOES IT WORK?

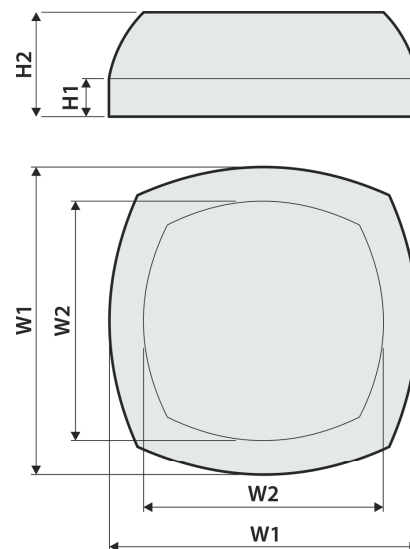
1: An individual test program is created for each product to be tested. Select the correct program using either the touch screen or a bar code scanner.

2: When the correct test program has been selected the package is placed in the chamber and the lid closed, starting the automatic test cycle.

3: During the test a user-defined vacuum is drawn, causing a pressure difference between the package and the chamber. The Dansensor® PackFix helps to ensure that the pressure difference is the same each time a package is tested. If there is a leak, the pressure difference causes the CO₂ inside the package to leak into the chamber. The full test cycle takes 10 – 35 seconds depending on the product set-up.

4: When the automatic test cycle is completed, the display will show either “OK” or “Leak” – clearly indicating if the package is leak-free or not. For a single package mode the result will be shown as the diameter of a reference hole in micron. For multiple packages mode, the result will be shown as ppm/s indicating the rise of CO₂ in the chamber. Test data are automatically stored and can be retrieved for statistical purposes.

Reduce batch recalls and packaging errors with the new Dansensor LeakPointer 3 & LeakPointer 3+



Technical Specifications

Available configurations	Dansensor LeakPointer 3	Dansensor LeakPointer 3+
Package types	Flexible and rigid packages. Individual packages	Flexible and rigid packages. Multiple packages
Maximum product size (mm) - See illustration in the upper right corner	With Dansensor PackFix: W1= 325, W2 = 295 H1= 40, H2 = 86 Without Dansensor PackFix: W1= 325, W2 = 268 H1= 40, H2 = 110	W1 = 465, W2 = 363 H1= 40, H2 = 155
Power supply	100-264 VAC, 50/60 Hz	115 VAC, 60 Hz / 230 VAC, 50 Hz
Dimensions & weight	Lid open: 543mm x 400mm x 617mm (H x W x D) 20 kg	Lid open: 751 mm x 555mm x 812mm (H x W x D) 50 kg
Air supply	5.5 ± 0.5 bar (venturi vacuum system)	Vacuum pump integrated
Chamber vacuum	Down to 750 mbar delta pressure	Down to 800 mbar delta pressure
Common technical specifications		
Sensor type	NDIR CO ₂ sensor, single beam	
CO ₂ content in packages	Down to 10%	
Ambient temperature	Operational: +5 to +35 °C Storage: -20°C to +60°C	
Ambient relative humidity	Operational: 10 to 90 %RH, non condensing Storage: less than 95 %RH, non condensing	
Ambient CO ₂ level	Max 4500 ppm, recommended <1500 ppm	
Leak size measurements	Down to 50 microns	
Number of products (test programs)	100	
Data collection capacity	Test data from more than 1,000,000 tests	
Connections	2 x USB, 1 x LAN RJ45, air pressure Ø6mm hose (Dansensor LeakPointer 3 only)	
Compliances	CE China RoHS	
Options		
Calibration & service	12 months	

Dash-gaslec-Dansensor LeakPointer 3_LeakPointer 3+-EN-2

Specifications subject to change without notice - further specifications are available in the User Guide.